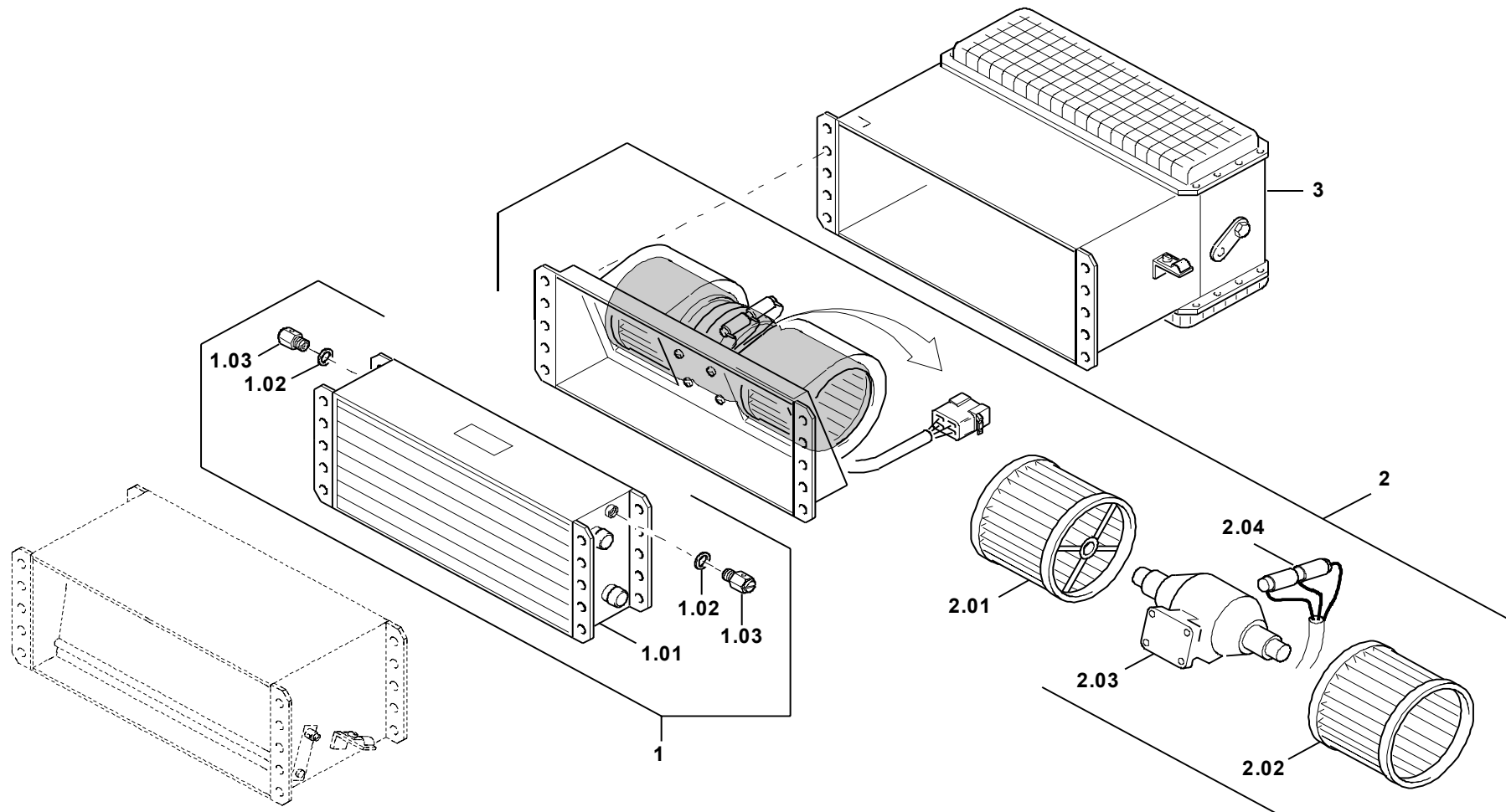


GROVEWASSERHEIZGERAET
WATER HEATERBILDTADEL
PICTORIAL DISPLAY

03.99

3046711-ETL A

1/1

**GMK 3050
BE 550
G 291**3046711-A-BL01
0399-0000